

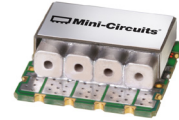
Surface Mount Bandpass Filter

CBP-1307C+

50Ω 1215 to 1400 MHz

The Big Deal

- Excellent Rejection
- Low passband Insertion Loss
- Miniature shielded package



CASE STYLE: MP1766

Product Overview

CBP-1307C+ is a ceramic-coaxial-resonator based bandpass filter in a shielded package fabricated using SMT technology. This filter offers outstanding close in rejection, low insertion loss and high power handling for use in aviation, mobile radio, broadband and fixed wireless.

Key Features

Feature	Advantages
High Selectivity	The CBP-1307C+ filter incorporates High-Q ceramic resonators that enables sharp rejection near passband.
Low Passband VSWR	This filter maintains typical VSWR over a wide passband frequency range making this filter easier to integrate into receiver and transmitter RF chains with less concerns for in band frequency ripple.
Rugged construction	The CBP-1307C+ has been qualified over wide range of thermal, mechanical and environmental conditions including withstanding the stress of extensive solder reflow cycles.



For detailed performance specs & shopping online see web site

P.O. Box 350166, Brooklyn, New York 11235-0003 (718) 934-4500 Fax (718) 332-4661 The Design Engineers Search Engine  Provides ACTUAL Data Instantly at minicircuits.com

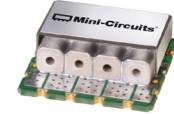
IF/RF MICROWAVE COMPONENTS

Notes: 1. Performance and quality attributes and conditions not expressly stated in this specification sheet are intended to be excluded and do not form a part of this specification sheet. 2. Electrical specifications and performance data contained herein are based on Mini-Circuit's applicable established test performance criteria and measurement instructions. 3. The parts covered by this specification sheet are subject to Mini-Circuits standard limited warranty and terms and conditions (collectively, "Standard Terms"); Purchasers of this part are entitled to the rights and benefits contained therein. For a full statement of the Standard Terms and the exclusive rights and remedies thereunder, please visit Mini-Circuits' website at www.minicircuits.com/MCLStore/terms.jsp.

Surface Mount Bandpass Filter

CBP-1307C+

50Ω 1215 to 1400 MHz



CASE STYLE: MP1766
PRICE: \$26.95 ea. QTY (1-9)

Features

- Low Insertion loss
- High selectivity
- Miniature shielded package

Applications

- Aviation
- Mobile radio
- Broadband
- Fixed wireless transmitters and receivers

Electrical Specifications at 25°C

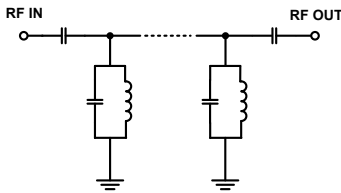
Parameter	F#	Frequency (MHz)	Min.	Typ.	Max.	Unit
Pass Band	Center Frequency	—	—	1307.5	—	MHz
	Insertion Loss	F1-F2	1215-1400	—	0.6	2 dB
	VSWR	F1-F2	1215-1400	—	1.2	— :1
Stop Band, Lower	Insertion Loss	DC-F3	DC-1000	20	28	dB
	VSWR	DC-F3	DC-1000	—	39	— :1
Stop Band, Upper	Insertion Loss	F4-F5	1820-2500	20	28	dB
	VSWR	F4-F5	1820-2500	—	40	— :1

Maximum Ratings

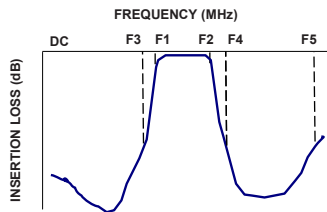
Operating Temperature	-40°C to 85°C
Storage Temperature	-55°C to 100°C
RF Power Input	5W

Permanent damage may occur if any of these limits are exceeded.

Functional Schematic



Typical Frequency Response

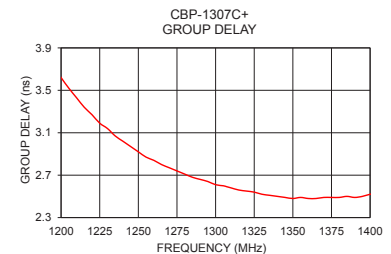
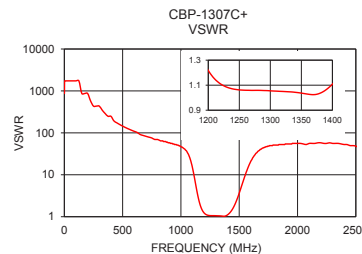
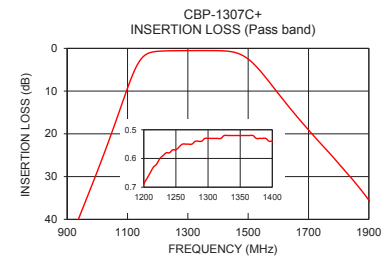
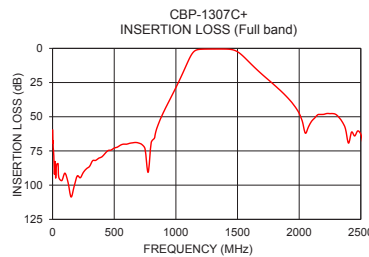


Typical Performance Data at 25°C

Frequency (MHz)	Insertion Loss (dB)	VSWR (:1)	Frequency (MHz)	Group Delay (nsec)
1.0	59.57	868.59	1215.0	3.34
35.0	84.60	1737.18	1220.0	3.27
175.0	100.86	868.59	1230.0	3.14
425.0	76.91	193.02	1245.0	2.97
860.0	54.95	62.05	1255.0	2.87
1000.0	28.73	46.96	1265.0	2.80
1095.0	10.27	16.56	1270.0	2.77
1120.0	5.66	7.41	1280.0	2.71
1145.0	2.48	3.17	1285.0	2.68
1175.0	1.00	1.60	1295.0	2.64
1215.0	0.63	1.13	1300.0	2.61
1307.0	0.53	1.05	1307.0	2.59
1307.5	0.53	1.05	1307.5	2.59
1400.0	0.54	1.11	1320.0	2.55
1470.0	1.29	2.18	1335.0	2.51
1510.0	3.09	4.41	1345.0	2.49
1560.0	6.99	11.53	1360.0	2.48
1625.0	12.80	27.59	1370.0	2.49
1820.0	28.57	51.10	1385.0	2.50
2500.0	62.73	48.26	1400.0	2.52

+RoHS Compliant

The +Suffix identifies RoHS Compliance. See our web site for RoHS Compliance methodologies and qualifications



For detailed performance specs & shipping online see web site

P.O. Box 350166, Brooklyn, New York 11235-0003 (718) 934-4500 Fax (718) 332-4661 The Design Engineers Search Engine Provides ACTUAL Data Instantly at minicircuits.com

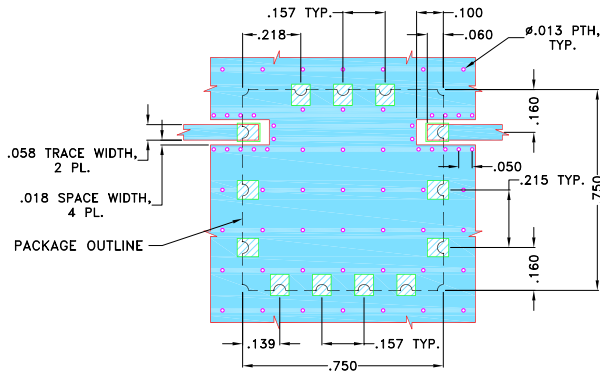
Notes: 1. Performance and quality attributes and conditions not expressly stated in this specification sheet are intended to be excluded and do not form a part of this specification sheet. 2. Electrical specifications and performance data contained herein are based on Mini-Circuit's applicable established test performance criteria and measurement instructions. 3. The parts covered by this specification sheet are subject to Mini-Circuits standard limited warranty and terms and conditions (collectively, "Standard Terms"); Purchasers of this part are entitled to the rights and benefits contained therein. For a full statement of the Standard Terms and the exclusive rights and remedies thereunder, please visit Mini-Circuits' website at www.minicircuits.com/MCLStore/terms.jsp.

REV. OR
M139123
CBP-1307C+
EDU1784
URJ
130618
Page 2 of 3

Pad Connections

INPUT	1
OUTPUT	10
GROUND	2,3,4,5,6,7,8,9,11,12,13

Demo Board MCL P/N: TB-684+
Suggested PCB Layout (PL-373)

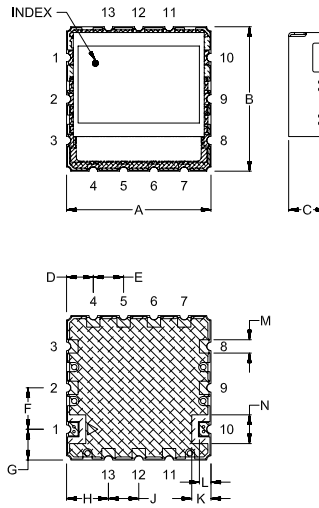


NOTES:

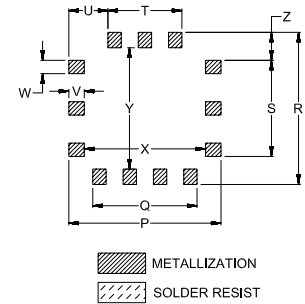
- TRACE WIDTH IS SHOWN FOR OAK (OAK-602) WITH DIELECTRIC THICKNESS .022" ± .0015". COPPER: 1/2 OZ. EACH SIDE. FOR OTHER MATERIALS TRACE WIDTH MAY NEED TO BE MODIFIED.
- BOTTOM SIDE OF THE PCB IS CONTINUOUS GROUND PLANE.

- DENOTES PCB COPPER LAYOUT WITH SMOBC (SOLDER MASK OVER BARE COPPER)
- DENOTES COPPER LAND PATTERN FREE OF SOLDERMASK

Outline Drawing



PCB Land Pattern



Outline Dimensions (inch mm)

A	B	C	D	E	F	G	H	J	K	L	M	N	
.750	.750	.210	.139	.157	.215	.160	.218	.157	.100	.060	.069	.149	
19.05	19.05	5.33	3.53	3.99	5.46	4.06	5.54	3.99	2.54	1.52	1.75	3.78	
P	Q	R	S	T	U	V	W	X	Y	Z			wt.
.790	.541	.790	.499	.384	.203	.080	.069	.630	.630	.145			grams
20.07	13.74	20.07	12.67	9.75	5.16	2.03	1.75	16.00	16.00	3.68			4.6