

# Bandpass Filter

## JCBP-290+

50Ω 100 to 480 MHz

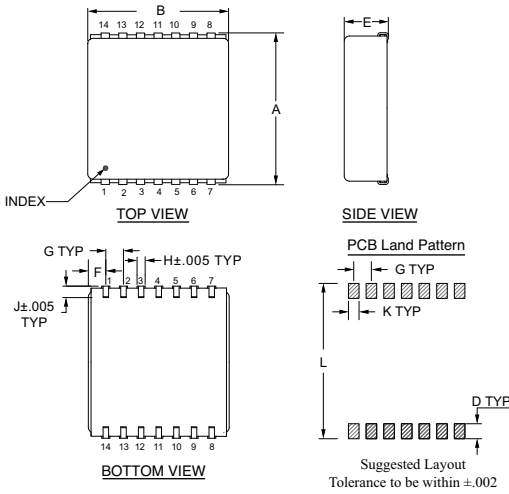
### Maximum Ratings

Operating Temperature	-40°C to 85°C
Storage Temperature	-55°C to 100°C
RF Power Input	0.5W

### Pin Connections

INPUT	2
OUTPUT	9
GROUND	1,3,4,5,6,7,8,10,11,12,13,14

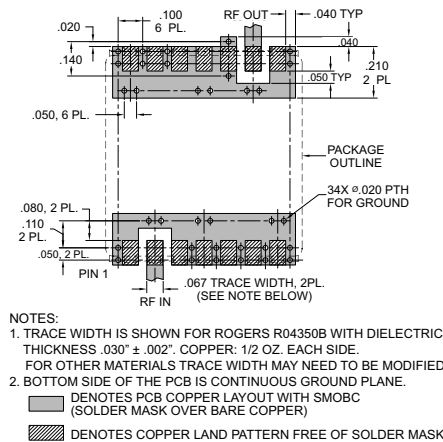
### Outline Drawing



### Outline Dimensions (inch/mm)

A	B	C	D	E	F
.870	.800	--	.100	.250	.100
22.09	20.32	--	2.54	6.35	2.54
G	H	J	K	L	wt.
.100	.047	.065	.065	.890	grams
2.54	1.19	1.65	1.65	22.60	4.0

### Demo Board MCL P/N: TB-442+ Suggested PCB Layout(PL-269)



### Features

- High Stopband Rejection
- Aqueous washable

### Applications

- Harmonic Rejection
- Transmitters/Receivers
- Military communications



CASE STYLE: BG291  
PRICE: \$17.95 ea. QTY (1-9)

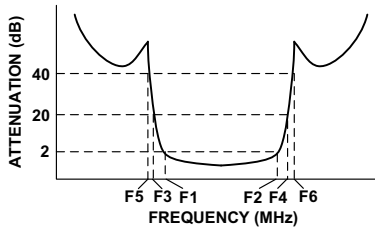
**+ RoHS compliant in accordance with EU Directive (2002/95/EC)**

The +Suffix has been added in order to identify RoHS Compliance. See our web site for RoHS Compliance methodologies and qualifications.

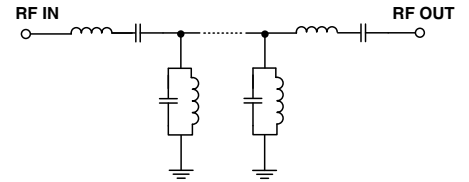
### Bandpass Filter Electrical Specifications (T<sub>AMB</sub> = 25°C)

CENTER FREQ. (MHz)	PASSBAND (MHz) (Loss < 2dB) F1 - F2	STOPBANDS (MHz)				VSWR (:1)	
		Loss > 20dB		Loss > 40dB		Passband	Stopband
		F3	F4	F5	F6	Max.	Typ.
290	100 - 480	65	630	50	760 - 2000	2.2	20

### Typical Frequency Response



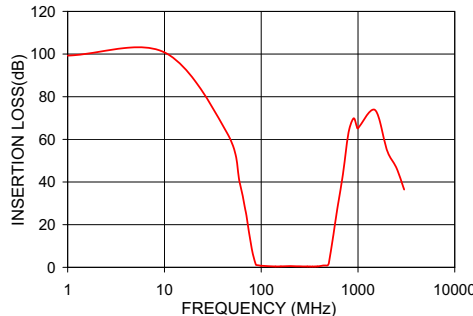
### Functional Schematic



### Typical Performance Data at 25°C

Frequency (MHz)	Insertion Loss (dB)	VSWR (:1)
5.0	100.66	1737.18
50.0	54.53	193.02
65.0	32.31	75.53
70.0	24.77	51.10
78.0	11.82	14.87
82.0	5.50	5.03
85.0	2.40	2.08
88.0	1.27	1.10
100.0	0.72	1.22
290.0	0.39	1.31
480.0	0.85	1.11
498.0	1.71	2.00
510.0	3.51	3.92
526.0	7.30	9.33
554.0	14.72	25.56
630.0	31.11	54.29
760.0	54.49	64.35
1500.0	73.77	51.10
2000.0	54.74	36.97

### INSERTION LOSS



### VSWR

